

||||||| ROTARY VIBRATOR CF |||||||



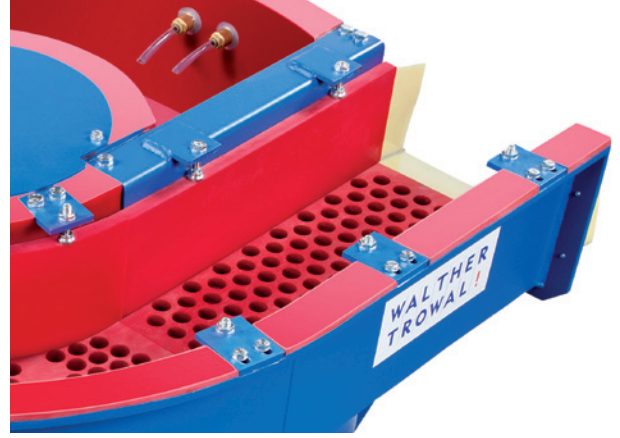
TROWAL SURFACE FINISHING TECHNOLOGY

Rotary vibrators – model range CF

COST EFFECTIVE AND EFFICIENT

Trowal rotary vibrators are truly universal mass finishing machines that can be used for a wide variety of work pieces and finishing objectives. Their applications range from aggressive deburring and edge radiusing all the way to high gloss polishing of delicate work pieces, i.e. from intensive cut-down to generating perfect pre-plate surface finishes.

The competitively priced rotary vibrators of the model range CF offer the user high operational efficiency combined with maximum cost effectiveness. Customers can choose from seven (7) different models with work bowl volumes ranging from 100 to 1,200 liters. Equipped with an internal pneumatic separation device, the CF vibrators are easy to operate ensuring a smooth and safe finishing process. The vibratory motor is equipped with two (2) rotary speeds. This guarantees an optimum finishing process and efficient separation of the finished work pieces from the media.



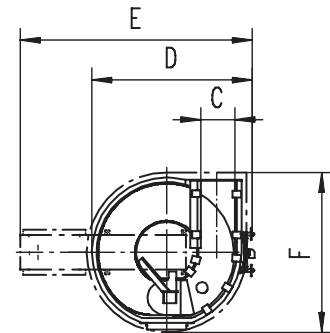
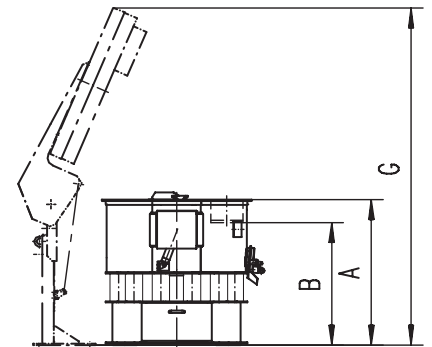
| | CF 100 | CF 200 | CF 300 | CF 400 | CF 600 | CF 800 | CF 1200 |
|--|-------------|-----------|-----------|-----------|-----------|-----------|-----------|
| Work bowl – gross volume (L) | 100 | 200 | 300 | 400 | 600 | 800 | 1,200 |
| Work bowl – usable volume (L)* | 83 | 125 | 190 | 260 | 345 | 470 | 700 |
| Largest work piece dimensions – measured diagonally (mm) | 160 | 170 | 220 | 260 | 270 | 315 | 335 |
| Total area of separation screen (cm ²) | 1,960 | 2,190 | 2,710 | 3,270 | 4,000 | 4,900 | 6,300 |
| Total weight (kg) | 510 | 740 | 1,020 | 1,190 | 1,435 | 2,110 | 2,650 |
| Drive power at 1,500 RPM | 1.5 kW | 4.0 kW | 4.0 kW | 4.0 kW | 7.0 kW | 8.0 kW | 11.0 kW |
| RPM range**) | 1,000/1,500 | | | | | | |
| Max. centrifugal force (N) | 21,500 | 49,000 | 49,000 | 49,000 | 82,000 | 100,000 | 142,000 |
| Accessory equipment | | | | | | | |
| Magnetic separator | MS 101x14 | MS 134x19 | MS 134x24 | MS 134x24 | MS 168x31 | MS 168x31 | MS 168x36 |
| Vibratory drier | G 100 | G 200 | G 200 | G 200 | G 500 | G 500 | G 1000 |

*Work piece geometry, material and risk of nicking are important for the determination of the media/work piece ratio.

**Vibratory motor equipped with two (2) rotary speeds

| CF | A | B | C | D | E | F | G |
|------|-------|-------|-----|-------|-------|-------|-------|
| 100 | 1,195 | 972 | 224 | 1,100 | 1,505 | 1,195 | 2,670 |
| 200 | 1,225 | 1,010 | 238 | 1,274 | 1,795 | 1,350 | 2,670 |
| 300 | 1,290 | 1,090 | 285 | 1,430 | 2,060 | 1,460 | 2,980 |
| 400 | 1,332 | 1,120 | 326 | 1,586 | 2,235 | 1,580 | 3,190 |
| 600 | 1,434 | 1,080 | 363 | 1,727 | 2,384 | 1,700 | 3,420 |
| 800 | 1,548 | 1,255 | 396 | 1,915 | 2,665 | 1,910 | 3,780 |
| 1200 | 1,737 | 1,410 | 445 | 2,124 | 2,787 | 2,120 | 4,110 |

All dimensions in mm



The design of the SF rotary vibrators allows a wide range of different mass finishing applications without requiring any other optional features.

- Processing channel with continuous incline over 180°
- Pneumatically activated separation flap (standard in model CF 200 and bigger)
- Large screen area with a curved and rectangular screen segment
- Maintenance-free vibratory flange motor
- Vibratory motor equipped with two (2) rotary speeds

The CF range comes with the following accessories:

- Noise reducing lids
- Water and compound dosing systems
- Magnetic separators
- Vibratory driers

**WALTHER
TROWAL!**

Walther Trowal GmbH & Co. KG
 Rheinische Straße 35-37 | D-42781 Haan
 Tel. +49(0)2129-571-0 | Fax +49(0)2129-571-225
 info@walther-trowal.com | www.walther-trowal.com