

||||||| CIRCULAR VIBRATORS – MODEL RANGE CB |||||||

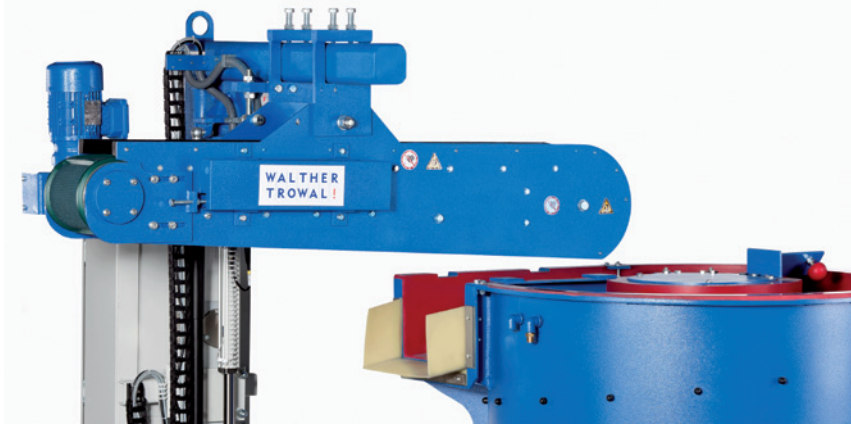


TROWAL SURFACE FINISHING Circular Vibrators – model range CB

A POWERFUL MACHINE THAT MEETS ANY SURFACE FINISHING CHALLENGE

Trowal circular vibrators are universal finishing machines which can be utilized for treating a wide range of different parts. They are employed for aggressive deburring and radiusing (edge breaking) as well as for high gloss polishing of delicate work pieces, i.e. their applications range from aggressive cut down all the way to generating pre-plate surface finishes. Trowal circular vibrators can be utilized as cost efficient “stand-alone” units. However, they can be easily automated allowing their integration into interlinked, fully automatic manufacturing systems.

The CB circular vibrators – the latest technical equipment development from Trowal – are powerful machines that meet the most stringent requirements with regard to surface finish, productivity and reliability. The spiral bottom processing channel with continuous ascent over more than 180° and the sturdy vibratory drive ensure gentle and, at the same time, aggressive processing of the parts with an exceptionally high metal removal rate. Central feature of the CB machines is the gate clearing system that prevents media and parts getting pinched between the separation flap and the work bowl bottom, when the flap is lowered at the beginning of the media/parts separation cycle: The gate area is cleared of all media and parts so that the separation flap can be lowered without the risk of any residual media or parts getting caught. Customers can choose from 8 different models with work bowl volumes ranging from 100 liters up to 1,800 liters.

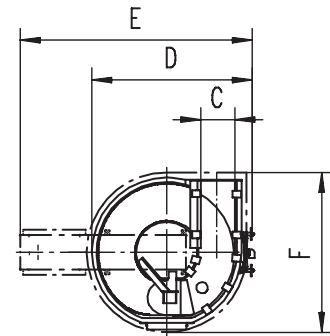
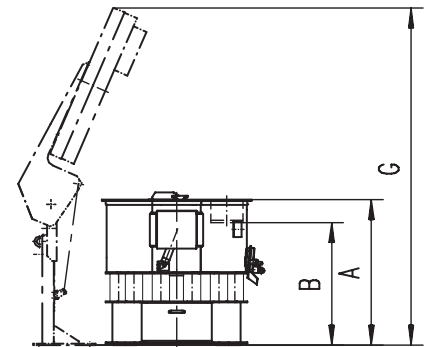


	CB 100	CB 200	CB 300	CB 400	CB 600	CB 800	CB 1200	CB 1800
Gross volume of work bowl (l)	100	200	300	400	600	800	1,200	1,800
Usable volume (l)*	83	125	190	260	345	470	700	1,050
Max. work piece dimension (mm)**	160	170	220	260	270	315	335	380
Total screen area (cm ²)	1,960	2,190	2,710	3,270	4,000	4,900	6,300	7,500
Drive power at 1,500 RPM	1.5 kW	4.0 kW	4.0 kW	4.0 kW	7.0 kW	8.0 kW	11.0 kW	11.0 kW
Speed range (RPM)***	Infinitely adjustable up to 1.800 RPM							**
Max. centrifugal force (N)	21,500	49,000	49,000	49,000	82,000	100,000	142,000	250,000
Total weight, empty (kg)	510	740	1,020	1,190	1,435	2,110	2,650	4,400
Accessories								
Magnetic separator	MS 101x14	MS 134x19	MS 134x24	MS 134x24	MS 168x31	MS 168x31	MS 168x36	MS 168x36
Vibratory driers	G 100	G 200	G 200	G 200	G 500	G 500	G 1000	G 1000

*Part geometry, material and risk of nicking are important for the determination of the media/work piece ratio **Measured diagonally ***Speed adjustment with frequency inverter

CB	A	B	C	D	E	F	G
100	1,195	972	224	1,100	1,505	1,195	2,670
200	1,225	1,010	238	1,274	1,795	1,350	2,670
300	1,290	1,090	285	1,430	2,060	1,460	2,980
400	1,332	1,120	326	1,586	2,235	1,580	3,190
600	1,434	1,080	363	1,727	2,384	1,700	3,420
800	1,548	1,255	396	1,915	2,665	1,910	3,780
1200	1,737	1,410	445	2,124	2,787	2,120	4,110
1800	1,960	1,535	550	2,422	3,275	2,510	4,630

Dimensions in mm



The Trowal CB circular vibrators are among the most modern and powerful vibratory systems available in the market. Their design incorporates more than 60 years of experience in vibratory finishing.

- With their sturdy steel construction and powerful vibratory drive the CB machines are ideally suited for heavy-duty 24/7 operation including ball burnishing applications and pressure deburring with steel media
- By preventing any part lodging during the finishing process, the gate clearing feature (optional) makes the CB machines perfect for fully automatic operation
- Easy and quick exchange of separation screens
- Lifetime lubrication of the vibratory drive
- The part in-feed chute built into the outer wall of the work bowl facilitates integration of the CB machines into fully automatic manufacturing processes
- Accessories
 - Noise dampening lids
 - Various types of compound dosing systems
 - Magnetic separators
 - Various types of drying equipment, etc.

**WALTHER
TROWAL!**

Walther Trowal GmbH & Co. KG
 Rheinische Straße 35-37 | D-42781 Haan
 Tel. +49(0)2129-571-0 | Fax +49(0)2129-571-225
 info@walther-trowal.com | www.walther-trowal.com