

||||||| CENTRIFUGAL DISC FINISHING MACHINES TT...-SM |||||||



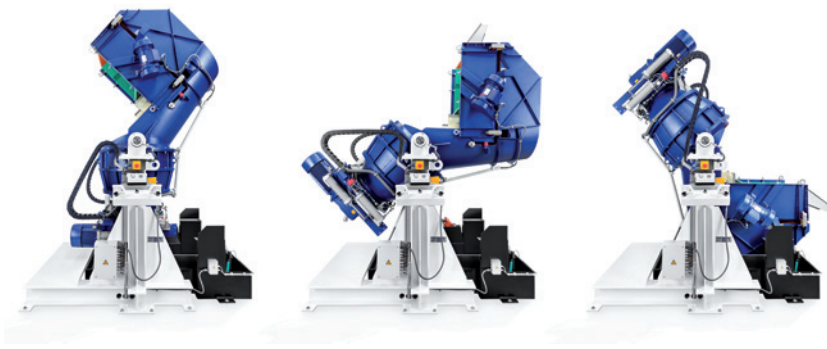
TROWAL MASS FINISHING Centrifugal disc finishing machines TT...-SM, 1-Batch System

TOP PERFORMANCE!

Compared to vibrators, Trowal Turbotron centrifugal disc finishing machines offer up to 10 times higher grinding performance. Turbotron machines are mainly used for the removal of strong burrs and for the edge radiussing of small and medium size bulk parts. However, due to the application of special processing technologies, Turbotron machines are also suited for fine grinding and even polishing and so called "super polishing" operations.

HOW IT WORKS

The rotating spinner (60–250 RPM) accelerates the work piece/media mass to the wall of the stationary work bowl and pushes the mass upwards along the work bowl wall. With decreasing acceleration and increasing gravity the mass slides back down to the spinner where it is again accelerated.

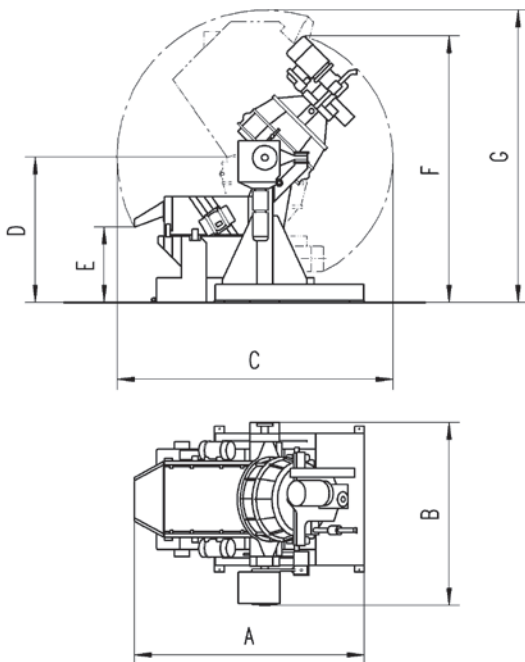


Machine types	TT 90-SM	TT 140-SM
Gross volume (l)	90	140
Capacity work pieces* (l)	8-60	14-100
Material work bowl	Steel / PU	
Drive mode	electric	
Spinning power (kW)	4	11
Speed max. (RPM)	213	178

* Depending on the work piece geometry, material, sensitivity of the parts. The quantity of media and work pieces is determined by these factors.

	A	B	C	D	E	F	G
TT 90-B	2,350	1,580	2,630	1,350	650	2,350	2,780
TT 140-B	2,350	1,860	2,800	1,480	770	2,710	3,000

Dimensions (mm)



ADVANCED MACHINE TECHNOLOGY

- Optimum dynamic geometry of spinner and work bowl
- Infinite water level control
- Infinitely adjustable speed of the spinner
- Automatic gap control via PLC. The gap can be adjusted with a precision of 0.05 mm
- Rinsing of gap prevents premature wear of spinner and work bowl
- Anti-blocking system prevents "seizure" of the spinner
- Additional protection of spinner and work bowl by temperature control in the gap area
- For finishing of extremely thin work pieces ≥ 0.1 mm a special machine design is available

TT...-SM MACHINES...

these are pivoted TT-systems with an integrated screening machine and media hopper. When the centrifugal disc finishing process is complete, the system pivots by 135°, whereby the mass of chips and work pieces are transported onto the screening machine, where they are separated and the media also classified. When the system pivots back into the processing position, the chips slide back from the media hopper and automatically reload into the work bowl.

**WALTHER
TROWAL!**

Walther Trowal GmbH & Co. KG

Rheinische Straße 35-37 | D-42781 Haan

Tel. +49(0)2129-571-0 | Fax +49(0)2129-571-225

info@walther-trowal.com | www.walther-trowal.com